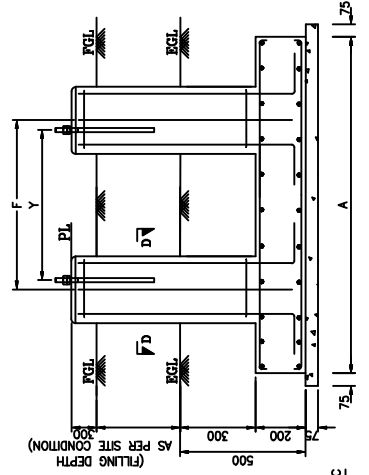
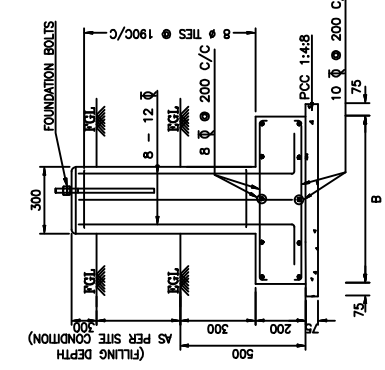


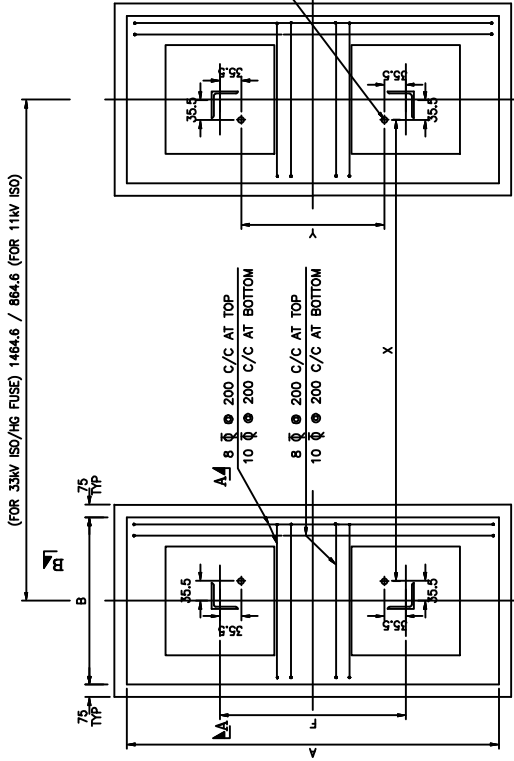
FOUNDATION BOLT DETAIL



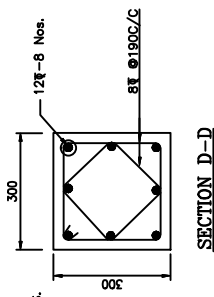
SECTION B-B



SECTION A-A



FOUNDATION PLAN



SECTION D-D

EQUIPMENT TYPE	FOUNDATION DIMENSIONS				
	A	B	F	X	Y
33KV ISO	1500	600	474.6	1383.6	403.6
33KV HCF	1300	800	564.6	1383.6	493.6
11KV ISO	1400	600	386.6	793.6	315.6

NOTES:-

1. ALL DIMENSIONS ARE IN MM. & ELEVATIONS ARE IN METRE UNLESS OTHERWISE MENTIONED.
2. ALL STRUCTURAL CONC. SHALL BE 1:1.5:3 (1 CEMENT : 1.5 COARSE SAND: 3 GRADED STONE AGGREGATE OF 20MM NOMINAL SIZE)
3. ALL LEAN CONC SHALL BE 75MM THK AND OF GRADE 1:4:8 (1 CEMENT: 4 COARSE SAND : 8 GRADED STONE AGGREGATE OF 40 MM NOMINAL SIZE)
4. ALL REINFORCEMENT STEEL BARS (DENOTED AS Ø) SHALL CONFORM TO IS: 1786-1985 OF GRADE Fe 415 OR TMT BARS OF EQUAL GRADE UNLESS SPECIFIED OTHERWISE.
5. CLEAR COVER TO MAIN REIN. SHALL BE 50MM.
6. CLEAR COVER TO MAIN REIN. SHALL BE 50MM.
7. FOR LOCATIONS OF EOP/FMS REFER LAYOUTS OF RESPECTIVE SUBSTATIONS.
8. ALL FOUNDATIONS SHALL REST MIN. 500 MM BELOW VIRGIN SOIL.
9. NET SSC OF SOIL = 8 T/50MM.
10. FGL DENOTES FINISHED GROUND LEVEL.

FOR TENDER PURPOSE ONLY



Rural Electrification Corporation Ltd.

PROJECT:
Revamped Distribution Sector Scheme (RDSS)

TITLE
FOUNDATION DETAILS OF 33KV ISO, HG FUSE AND 11KV ISO

SIZE	SCALE	DRG. NO.	SHT. NO.	REV. NO.
A3	NTS	REC/ RDSS /33/11KV PSS/10	1 OF 1	0

REV. NO.	PREPARED	CHECKED	APPROVED	DATE	PROJECT
R0					