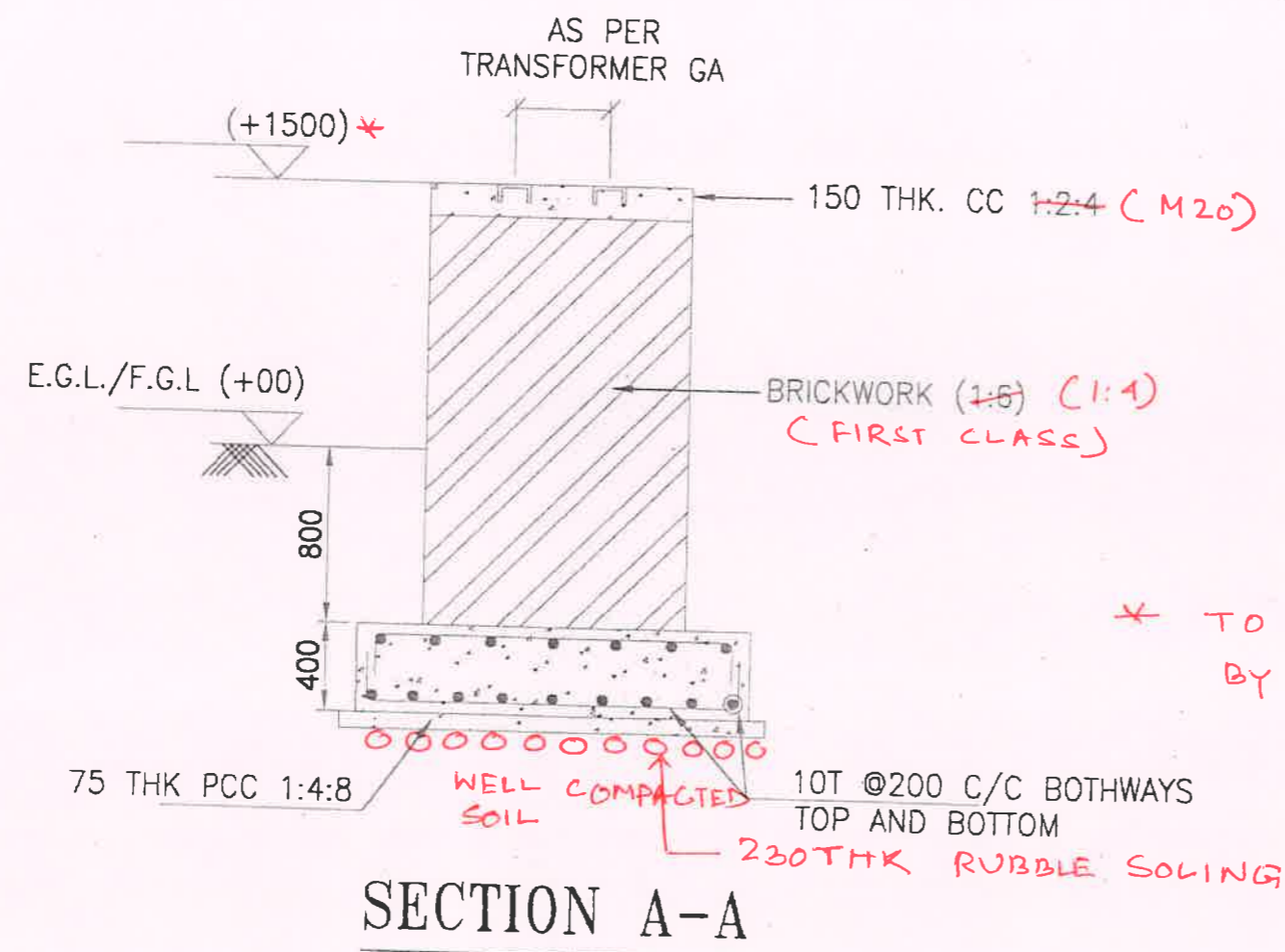


- NOTES:-**
1. ALL RCC SHALL BE OF RCC ~~1:1.5:3~~ **M25**
 2. ALL REINFORCEMENT STEEL BARS SHALL BE FE 500 **D** CONFORMING TO IS : 1786-~~1985~~ **2008**
 3. PROVIDE CLEAR COVER OF 50MM TO REINFORCEMENT FOR FOUNDATION.
 4. DO NOT SCALE THE DRAWING ONLY WRITTEN DIMENSIONS SHALL BE FOLLOWED.
 5. IN CASE OF ANY DISCREPANCY IN DIMENSIONS & LEVEL BETWEEN ELECTRICAL DRAWING AND CIVIL/STRUCTURAL DRAWING, THE CONTRACTOR SHALL SEEK THE CLARIFICATION BEFORE.
 6. UNLESS NOTED OTHERWISE LAP/ANCHOR LENGTH SHALL BE 50 TIMES THE DIA OF BARS.
 7. ALL EXPOSED SURFACES OF BRICKWORK SHALL BE 15MM (1:4) PLASTERED.
 8. ALL DIMENSIONS AND ELEVATIONS ARE IN MM UNLESS NOTED OTHERWISE.

- ABBREVIATIONS:-**
- E.G.L. - EXISTING GROUND LEVEL
 - T - TOR
 - F.G.L - FINISH GROUND LEVEL

*Authy
08/11/2021*

PROJECT:- TPSODL



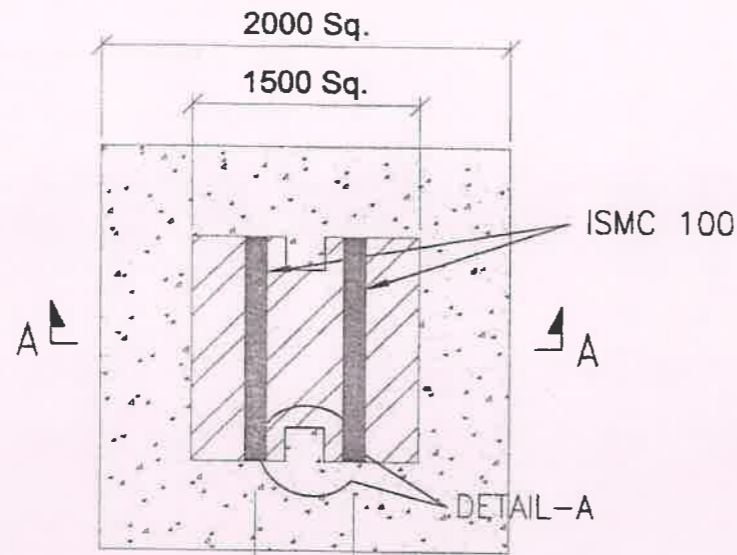
REVISION STATUS:-

DATE	REV	REVISION	DGN.	REV.	APP.	ISSD.
08.01.20	04	RELEASED FOR CONSTRUCTION				

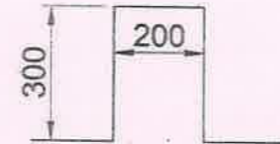
TATA POWER-DDL
TATA POWER DELHI DISTRIBUTION LIMITED
 (A TATA POWER AND DELHI GOVERNMENT JOINT VENTURE)
 GRID SUB STATION BUILDING, HUDSON LINES
 KINGSWAY CAMP, DELHI-110009

DESIGN	DS	TITLE:-
DRAWN	SP	PLINTH FOUNDATION FOR DTs
CHECKED	DS	FROM UPTO 400KVA
APPD.		SHEET DRAWING NO.
SCALE	N.T.S	1 OF 1
		TPD-S-202-C-002

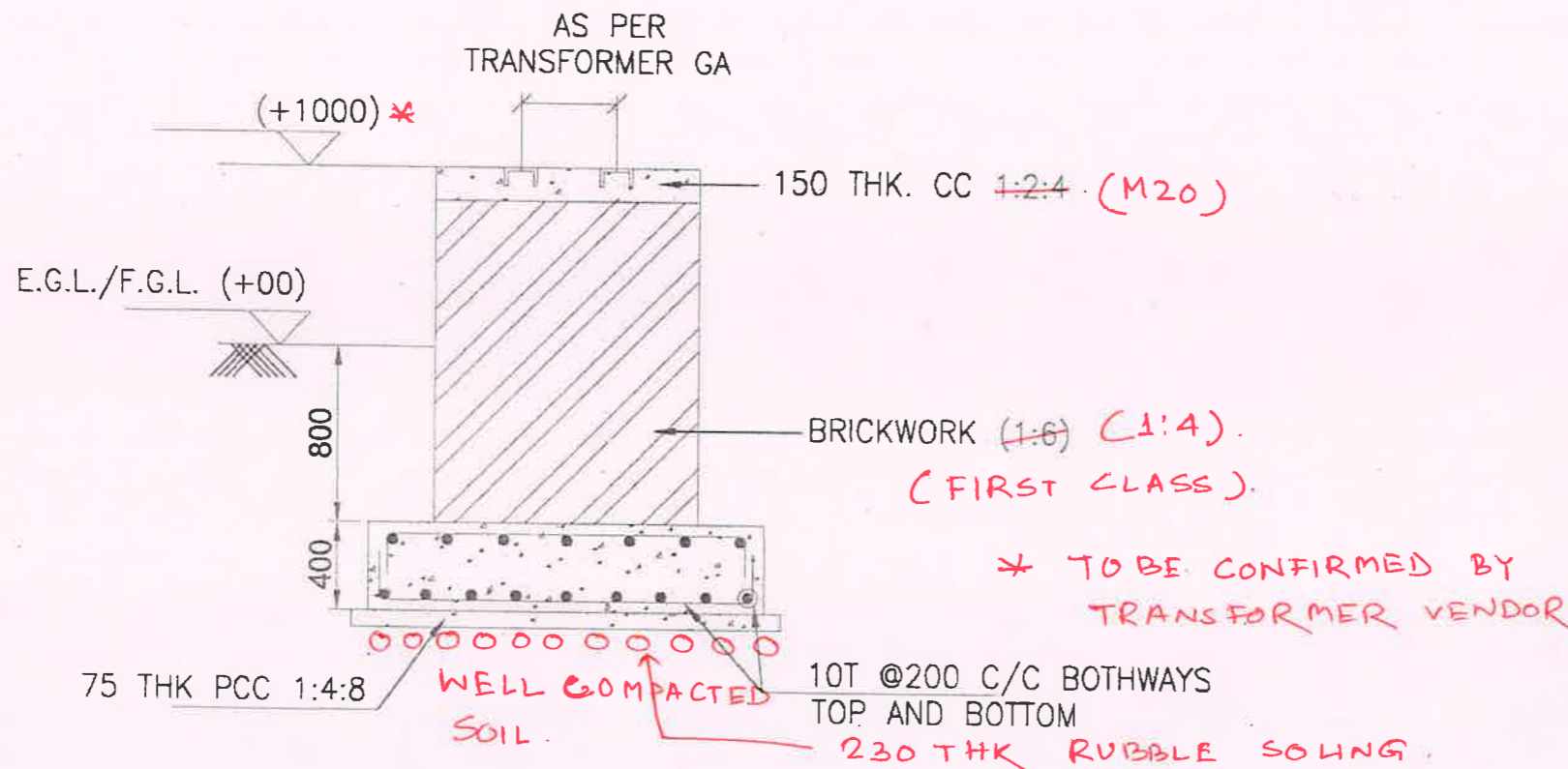
TPSODL



AS PER GA OF
TRANSFORMER
PLAN



DETAIL-A



SECTION A-A

NOTES:-

1. ALL RCC SHALL BE OF RCC 1:1.5:3. **M25**.
2. ALL REINFORCEMENT STEEL BARS SHALL BE FE 500 **D** CONFORMING TO IS : 1786-1985. **2008**
3. PROVIDE CLEAR COVER OF 50MM TO REINFORCEMENT FOR FOUNDATION.
4. DO NOT SCALE THE DRAWING ONLY WRITTEN DIMENSIONS SHALL BE FOLLOWED.
5. IN CASE OF ANY DISCREPANCY IN DIMENSIONS & LEVEL BETWEEN ELECTRICAL DRAWING AND CIVIL/STRUCTURAL DRAWING, THE CONTRACTOR SHALL SEEK THE CLARIFICATION BEFORE.
6. UNLESS NOTED OTHERWISE LAP/ANCHOR LENGTH SHALL BE 50 TIMES THE DIA OF BARS.
7. ALL EXPOSED SURFACES OF BRICKWORK SHALL BE 12MM (1:4) PLASTERED.
8. ALL DIMENSIONS AND ELEVATIONS ARE IN MM UNLESS NOTED OTHERWISE.

ABBREVIATIONS:-

- E.G.L. - EXISTING GROUND LEVEL
- T - TOR
- F.G.L - FINISH GROUND LEVEL

Sanjay
08/11/2024

PROJECT:-

TPSODL

REVISION STATUS:-

DATE	REV	REVISION	DGN	REV	APP	ISSD
14.01.20	04	ISSUED FOR CONSTRUCTION				



TATA POWER DELHI DISTRIBUTION LIMITED
(A TATA POWER AND DELHI GOVERNMENT JOINT VENTURE)
CRID SUB STATION BUILDING, HUDSON LINES
KINGSWAY CAMP, DELHI-110009

TPSODL

DESIGN	DS	TITLE:-	
DRAWN	SP	PLINTH FOUNDATION FOR DTs	
CHECKED	DS	FROM 630KVA UPTO 990KVA	
APPD.		SHEET	DRAWING NO.
SCALE	N.T.S.	1 OF 1	TPD-S-202-C-001